

# INSTRUCTIONS MAX® LIGHT 4200

Thank you for choosing the MAX® LIGHT 4200 for your power and lighting needs.

The MAX® LIGHT 4200 provides the following features: a four-color LED light rod with dimmer control, a convenient always-on front panel outlet and an On/Off power pushbutton for the 8 rear panel AC outlets.

Protect or Disconnect™ Circuitry safeguards equipment from all surges. In the event of a catastrophic surge, such as lightning, it completely disconnects AC power to connected equipment.

## INSTALLING THE MAX LIGHT 4200

**NOTE:** The MAX® LIGHT 4200 and the connected equipment must be indoors and in the same building.

### AC Installation

1. Plug the MAX® LIGHT 4200 directly into a properly grounded 3-wire AC outlet\*.
2. Turn on the MAX® LIGHT 4200 using the front panel Switched Outlets pushbutton.
3. Plug in one piece of equipment, turn the equipment on, and check status.

If the equipment is working correctly, contin-

ue to plug in and turn on your equipment. In the extremely unlikely event that everything does not work properly, stop and read the troubleshooting section. If you continue to have problems, call PANAMAX Customer Relations Department at 800-472-5555, USA and Canada.

\* Many old buildings are inadequately wired. It is very common for a building to be improperly grounded. Building wiring and grounding must conform to applicable NEC (USA) or CEC (Canada) codes for the PANAMAX connected equipment policy to be valid.

### Light Rod Instructions

1. Make sure the MAX® LIGHT 4200 is plugged into a properly grounded 3-wire AC outlet.
2. Turn the Light On/Off Dimmer Control switch clockwise to turn on and brighten the light rod. Default color is White.
3. Press the Color Select Pushbutton (once per color) to cycle through the four available colors until the desired color is selected. Choose between white, aqua, green and blue.
4. Turn the Light On/Off/Dimmer Control switch counter-clockwise to turn-off and/or dim the light rod.

### CAUTION!

The white reflective strip on the light rod could be scratched if you are not careful when rotating the rod to direct light onto your equipment.

### CLEANING THE LIGHT ROD

Do not use alcohol to clean the rod. A clean tissue with mild, alcohol-free glass cleaner is recommended. Be careful not to scratch the reflective coating on the back of the light rod.

### Rack Mounting

An optional rack mount kit is available. Order #GRM2205

### Troubleshooting

**There is no AC power to my equipment, or my equipment does not turn on.**

- Make sure that the unit is plugged into a working AC outlet.
- Check all AC connections.
- Make sure the MAX® LIGHT 4200 is turned on.

- Check to see if the circuit breaker on the unit needs to be reset (press in).

**The MAX® LIGHT 4200 circuit breaker disconnects AC power from the connected equipment.**

- You have exceeded the ampere rating for the surge protector. As a temporary fix, disconnect one or more pieces of equipment. Ask your dealer about additional PANAMAX products that may be required.

If you continue to have trouble with the MAX® LIGHT 4200, and this section has not solved the problem, please call PANAMAX Customer Relations Department at 800-472-5555.

### CONTACTING PANAMAX

For product and warranty information, dealer information, and other general information contact Customer Relations at:

Email: [custrelations@panamax.com](mailto:custrelations@panamax.com)  
 Web: [www.panamax.com](http://www.panamax.com)  
 Fax: 707-283-5901  
 Phone: 800-472-5555  
 or 707-283-5900,  
 7:30 a.m.- 5 p.m.PST

## MAX® LIGHT 4200 FEATURES ( ML4200)

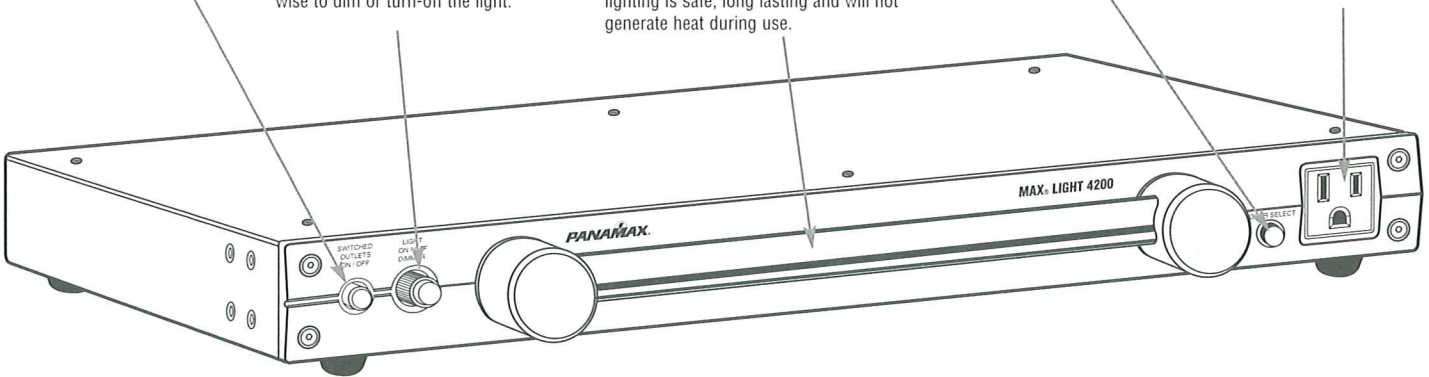
**Switched Outlets Pushbutton** - Controls the ON/OFF power for the eight rear outlets.

**Light On/Off/Dimmer Control** - Controls the brightness of the light rod. Rotate the knob clockwise for maximum lighting and counter-clockwise to dim or turn-off the light.

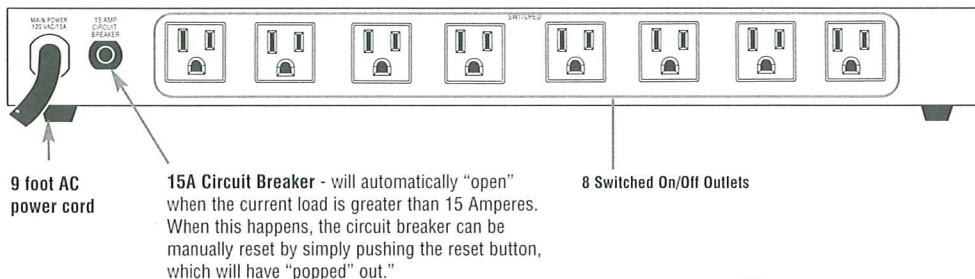
**Light Rod** - High intensity, LED light illuminates your electronic equipment. Rotating the light rod up or down will control the direction of the light. LED lighting is safe, long lasting and will not generate heat during use.

**Color Select Pushbutton** - Press to cycle through the available light rod colors. Choose between white, blue, green and aqua.

**Convenience Outlet** - Outlet provides power for temporary connection to equipment.



## REAR PANEL



## MAX® LIGHT 4200 PRODUCT SPECIFICATIONS AC & Surge Protection

Line Voltage.....	120 VAC, 50/60 Hz
Maximum Current Rating.....	15A (1800 Watts)
Protect or Disconnect™ Circuitry.....	Yes
Thermal Fusing.....	Yes
UL 1449 Surge Protection Rating.....	330V
Protection Modes.....	L-N, L-G, N-G
Single Pulse Energy Dissipation.....	1350 Joules
Peak Impulse Current.....	52,000A
Initial Clamping Level.....	141V RMS/ 200V Peak
Response Time.....	<1ns
EMI/RFI Noise Filtration.....	50dB (99.7%)
LED Life Expectancy.....	100,000 Hours



1690 Corporate Circle, Petaluma, CA 94954 • Phone 707-283-5900 • Toll Free 800-472-5555 • Fax 707-283-5901 • [www.panamax.com](http://www.panamax.com)

INS04200 REV. A